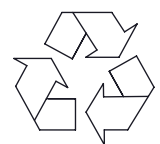
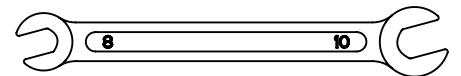
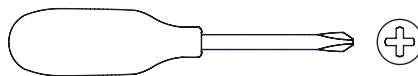




CÓD. 30771

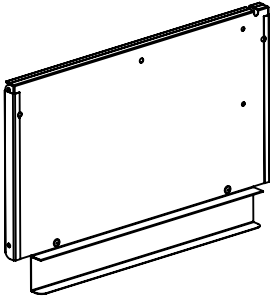
IM 73077100 - 06/2020



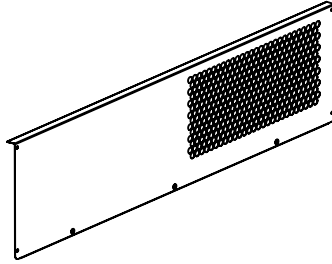
MADE IN SPAIN



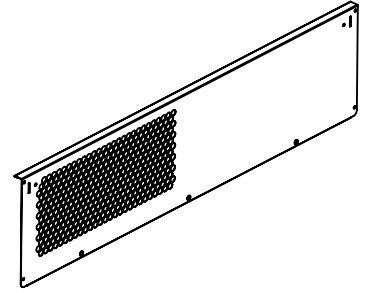
A (53077101) x2



B (53077102) x1



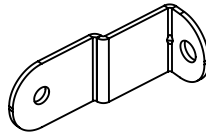
C (53077103) x1



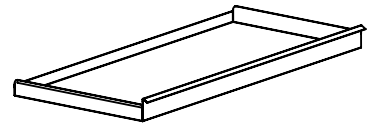
D (53077104) x4



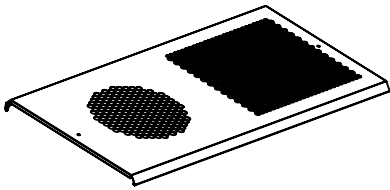
E (53077105) x2



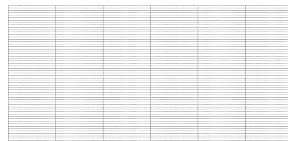
F (53077108) x1



G (53077109) x1



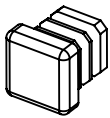
H (53077110) x1



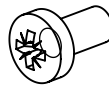
I (53077112) x2



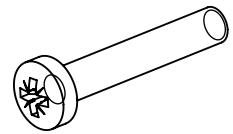
J (03041900) x8



K (77026300) x6



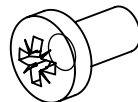
L (77051400) x8



M (77130400) x14



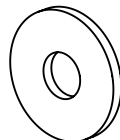
N (77009200) x6

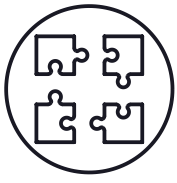


O (77115000) x6

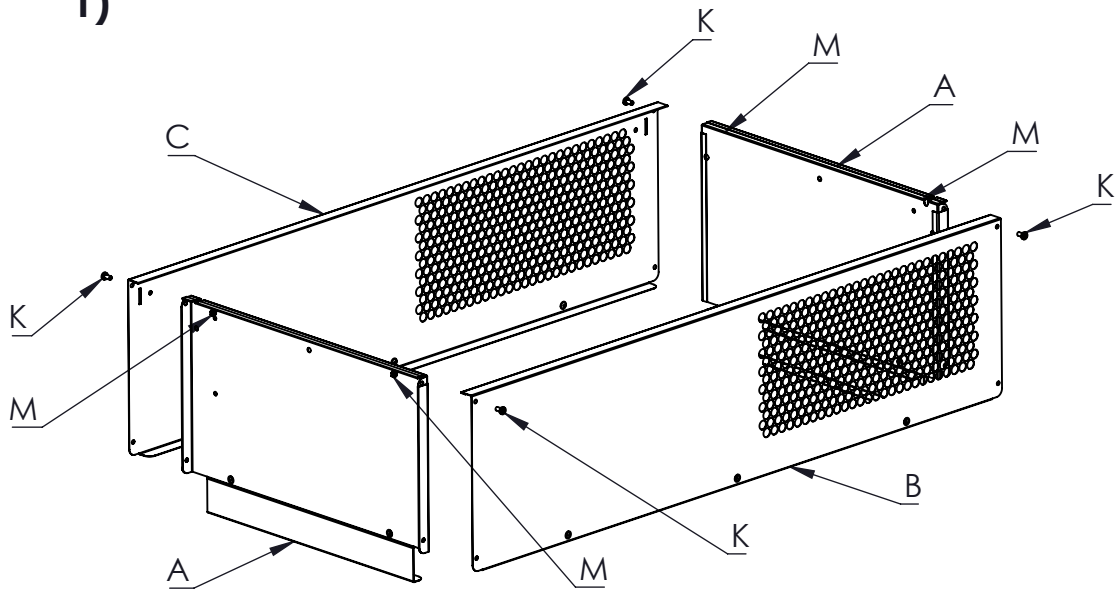


P (77119200) x4

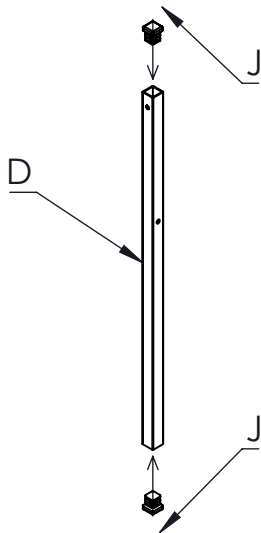




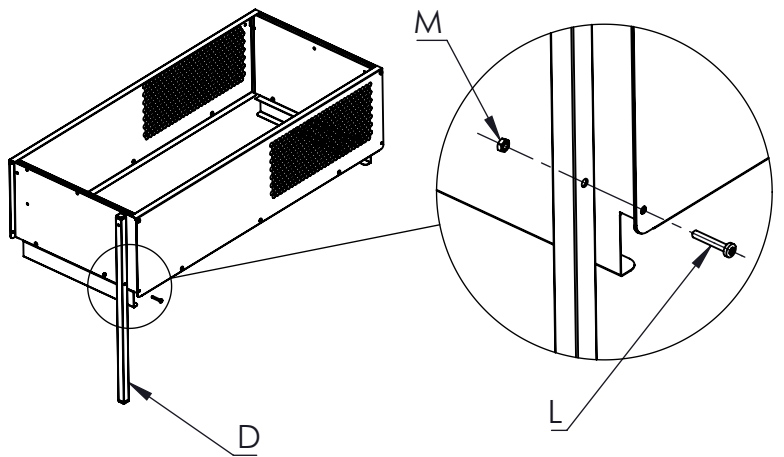
1)



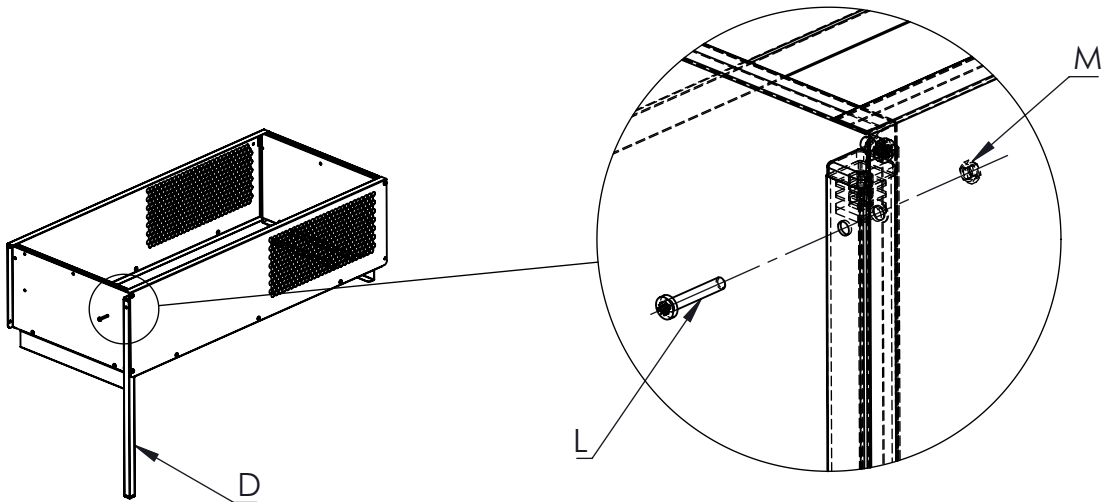
2)



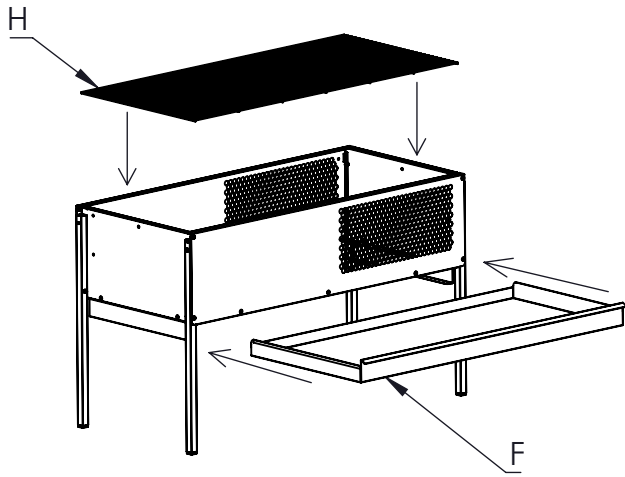
3.1)



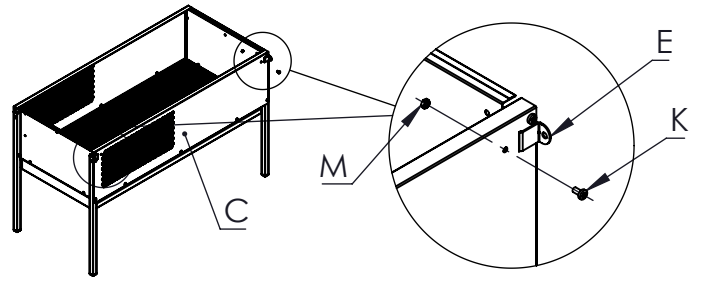
3.2)



4)

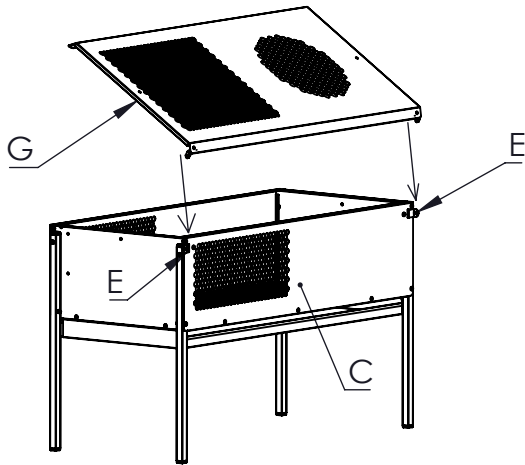


5)

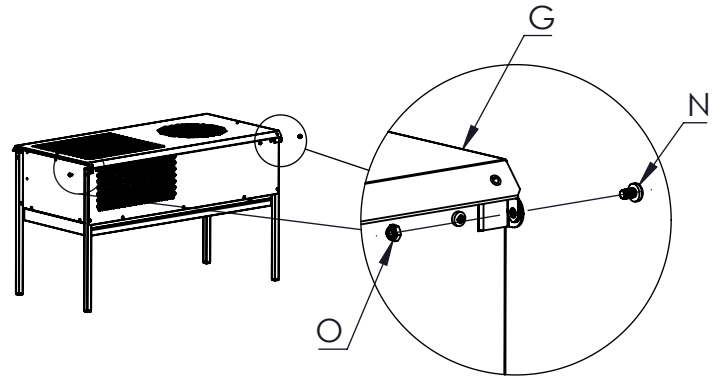


Before step 4, loosen screws from step 1 and once the "H" piece is assembled tighten them again

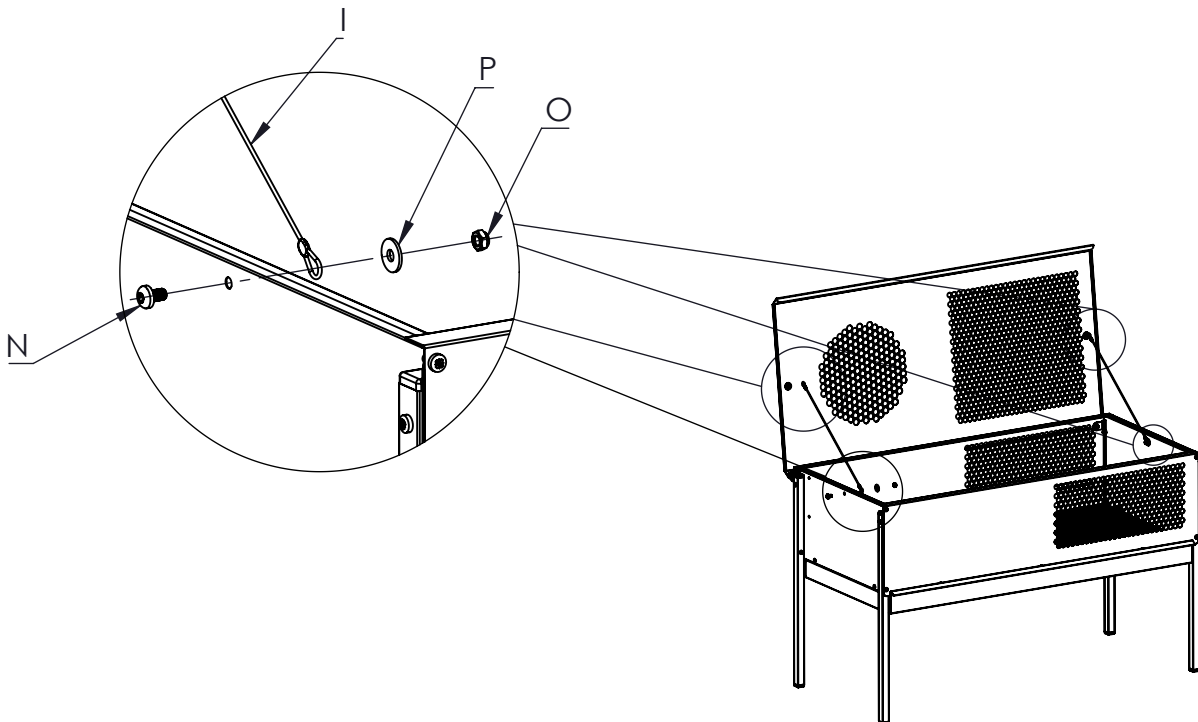
6.1)



6.2)



7)

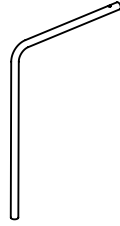




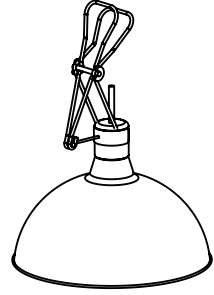
OP.1 (53077106) x1



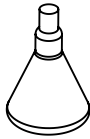
OP.2 (53077111) x1



OP.3 (04055300) x1



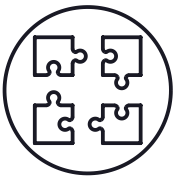
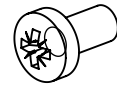
OP.4 (04055700) x1



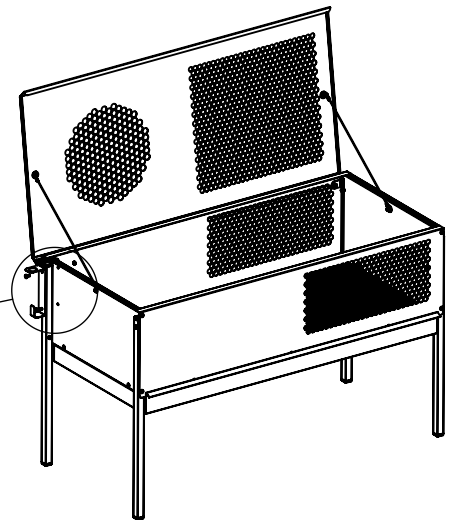
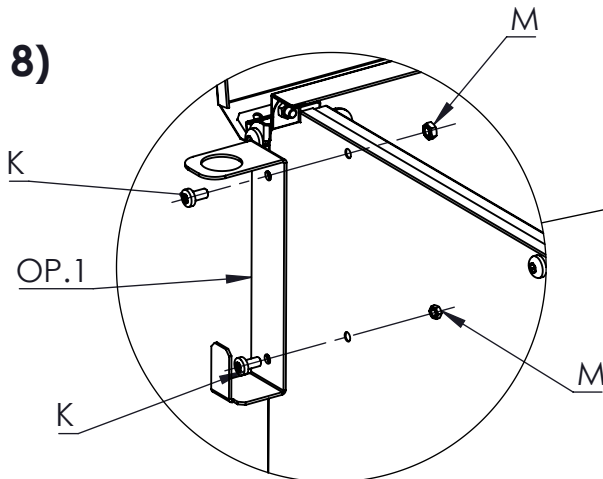
M (77130400) x2



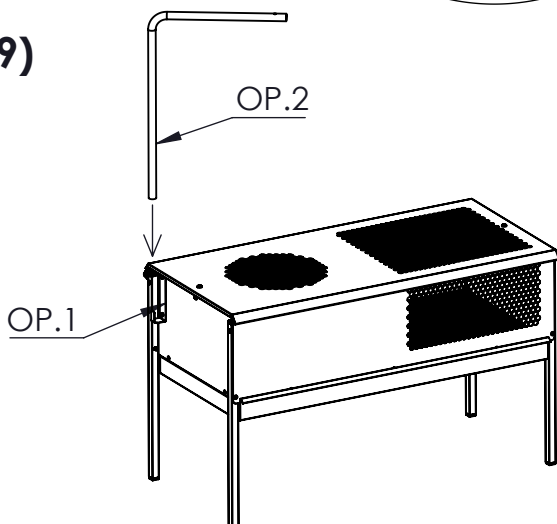
K (77026300) x2



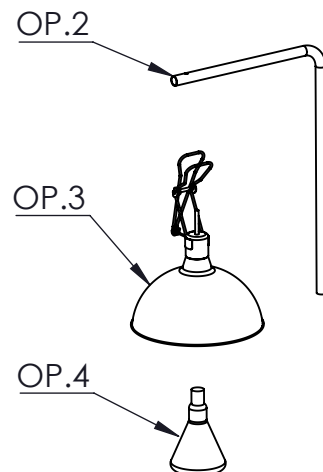
8)



9)



10)





COPELE